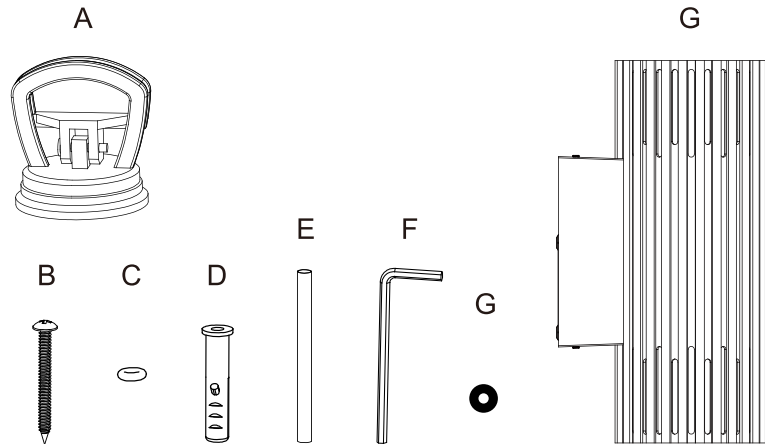


## Package contents (parts are not to scale):



Part	Description	Quantity
A	Plastic sucker (55*60mm)	1
B	Screw (M4*30)	2
C	Seal (Φ4)	2
D	Plastic expansion (L30mm)	2
E	tube (Φ5*L60mm)	3
F	hex key (2.5#)	1
G	Plain washer (∅4*∅8*0.6mm)	2
H	Fixture body	1

## Light source

**Bulb: 230V E27 Max.2\*LED 12W (excluded)**

**(with cable entry knock out beneath the wall base)**

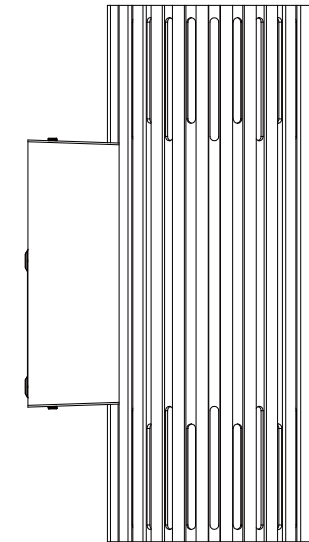
## Care and Cleaning

### EXTERIOR MAINTENANCE

1. To clean the outside of the fixture, use a dry or slightly dampened clean cloth (use clean water, never a solvent) to wipe the surface of the fixture.
2. Do not use any cleaners with chemicals, solvents or harsh abrasives. Use only a dry soft cloth to dust or wipe carefully.

## OUTDOOR WALL LAMP

Art Nr. 11000000056&11000000057  
11000000058&11000000059



## CAUTION:

NO:

Advarsel:

-Bruk kun pærer som anvist etiketten på lampen.

-Slå av lampen før bytting av pære og vent til pæren er avkjølt. Vis forsiktighet ved berøring av lampen når den er tent. Den kan være varm.

SE:

Varning:

-Använd endast glödlampor enligt anvisningar på lampans etikett.

-Stäng av lampan innan du byter glödlampa och vänta tills lampan har svalnat. Var särskilt försiktig vid beröring av lampan när den är tänd. Det kan vara varmt.

English:

Warning:

-Only use bulbs as directed on the label on the lamp.

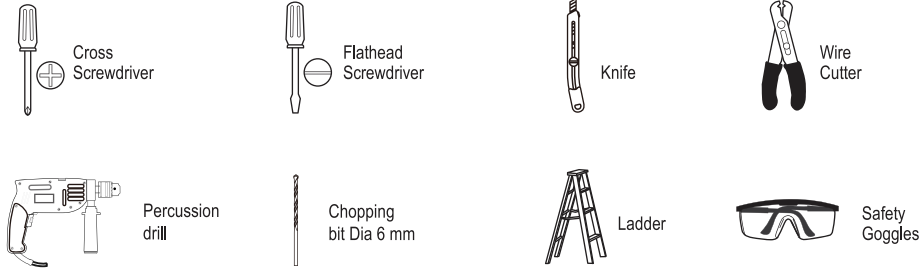
-Turn off the lamp before replacing the bulb and wait until the bulb has cooled. Take special care to touch the lamp when the lamp is lit. It can be hot.

## Pre-Installation

### PLANNING THE INSTALLATION

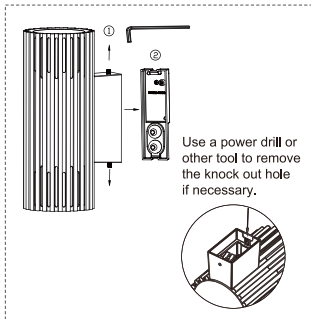
Read all instructions before assembly and installation. Before starting installation of the fixture or removal of a previous fixture, disconnect the power by turning off the circuit breaker or by removing the fuse at the fuse box. To avoid damaging this product, assemble it on a soft, non-abrasive surface such as carpet or cardboard.

### TOOLS REQUIRED

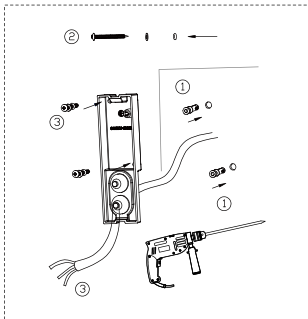


## Installation (Make sure to turn off the main power)

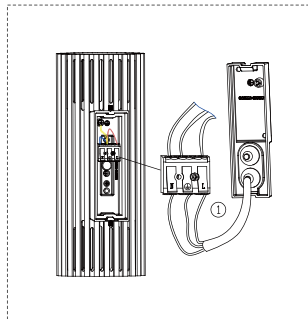
Step 1.



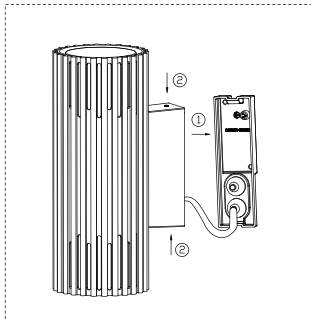
Step 2.



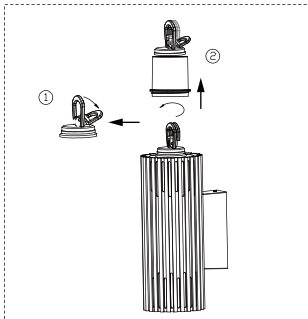
Step 3.



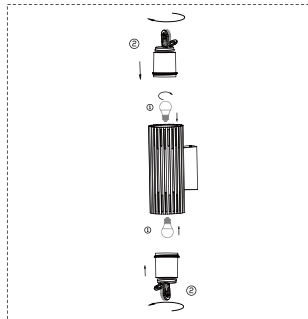
Step 4.



Step 5.

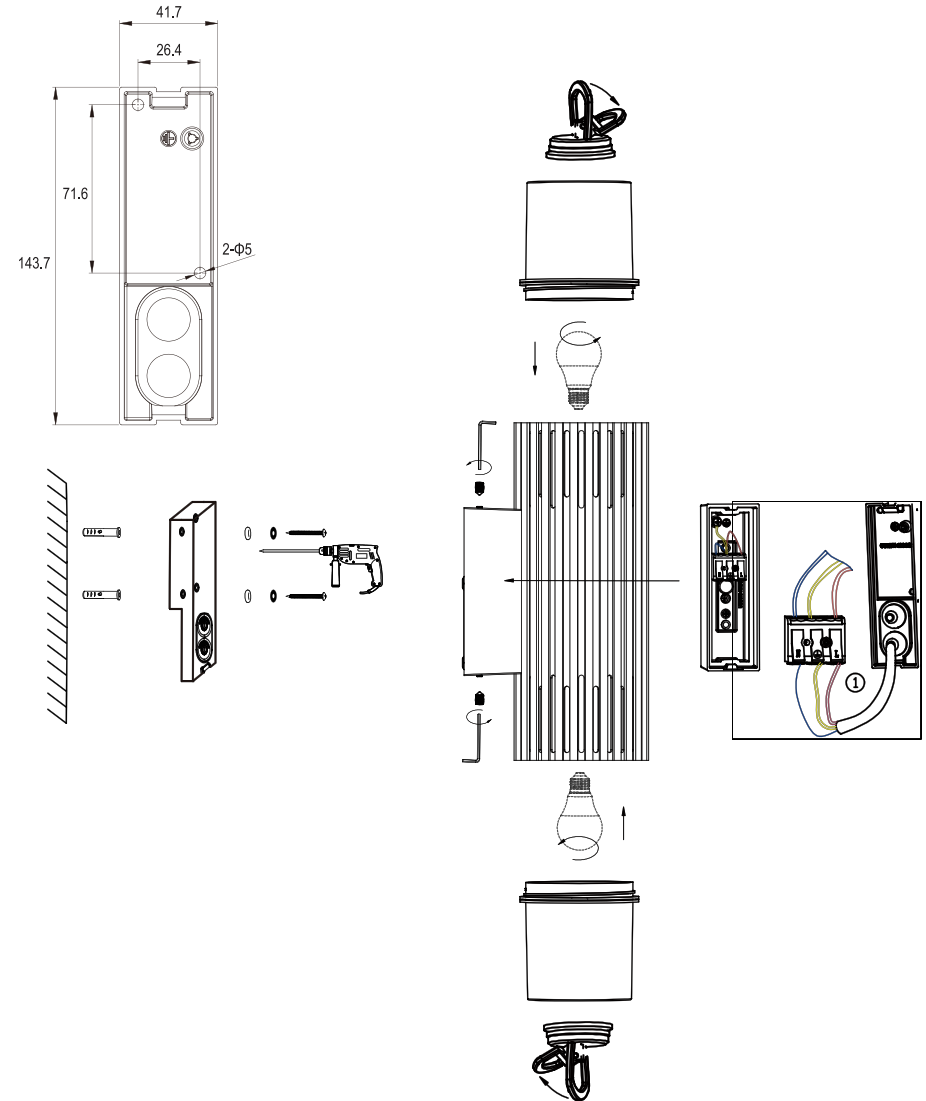


Step 6.



## Installation (continued)

Mounting bracket size (unit millimeter)



## Operation

- Turn on power at the circuit breaker or fuse box.
- Turn the light switch on to activate the fixture.