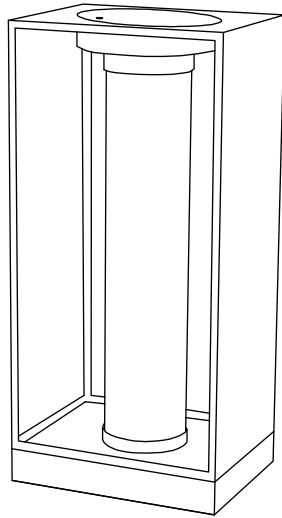


Package contents (parts are not to scale):

A



B



Part	Description	Quantity
A	Recharging Solar Lantern	1
B	Type-C cable	1

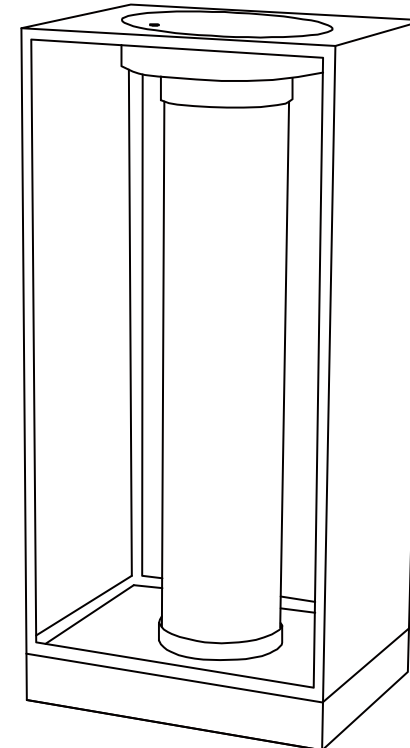
Care and Cleaning

EXTERIOR MAINTENANCE

1. To clean the outside of the fixture, use a dry or slightly dampened clean cloth (use clean water, never a solvent) to wipe the surface of the fixture.
2. Do not use any cleaners with chemicals, solvents or harsh abrasives. Use only a dry soft cloth to dust or wipe carefully.

SOLAR LANTERNS

Art Nr. 11000000136 & 11000000137



Pre-Installation

PLANNING THE INSTALLATION

Read all instructions before assembly and installation. Before starting installation of the fixture or removal of a previous fixture, disconnect the power by turning off the circuit breaker or by removing the fuse at the fuse box. To avoid damaging this product, assemble it on a soft, non-abrasive surface such as carpet or cardboard.

TOOLS REQUIRED



Knife

Product detail information:

- LED Light: 0.2-1.2W
(slight bright 0.2W, medium bright 0.7W, the brightest 1.2W)
- Kelvin: 2800K-3200K
- Battery type: 1800mAh
- IP65
- Solar Charging Voltage and Current: 5V/0.2A
- Type-C Charging Voltage and Current: 5V/0.6A
- With USB-typeC balck cable 80cm
- With DAY-NIGHT SENSOR

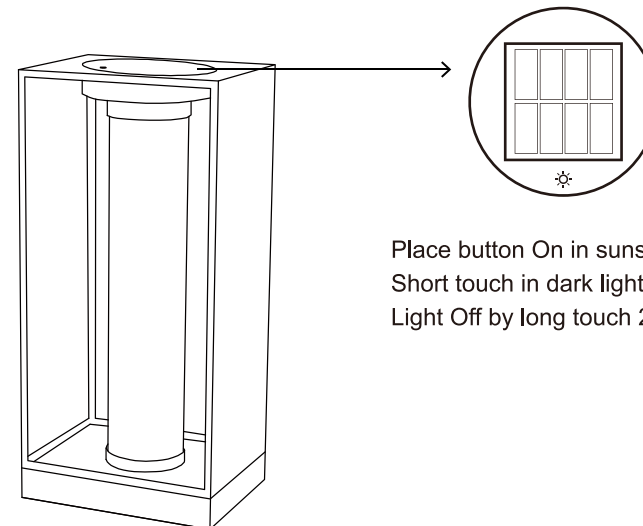
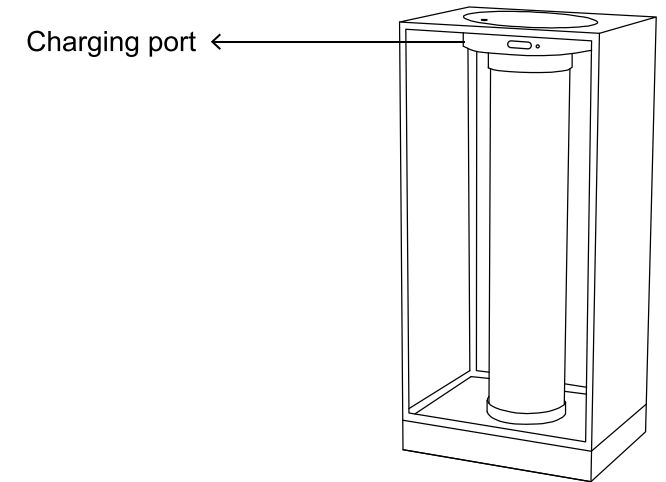
Function Description:

- Touch 5-gear button:
 - Place button On in sunset.
 - Three-gear Touch Dimming Function for the light from slight light to medium brightness to brightest by short touch.
 - Light Off by long touch 2 seconds.
- Solar Charging: Normally need 11 hours to be charged full (must have a sunny situation).
- Type-C Charging: Normally need 4 hours to be charged full.

Switch instruction:

Please charge the lantern before use. The indicator light is Red when charging, and turn to Green when fully charged.

Place the lantern on hard, flat level surface or floor. Ensure the lantern is stable and not slidable.



Place button On in sunset.
Short touch in dark light -ON-LOW-MEDIUM-HIGH-
Light Off by long touch 2 seconds.