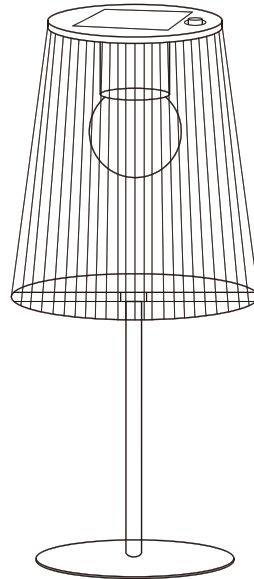


Package contents (parts are not to scale):

A



Part	Description	Quantity
A	Recharging Solar Lantern	1

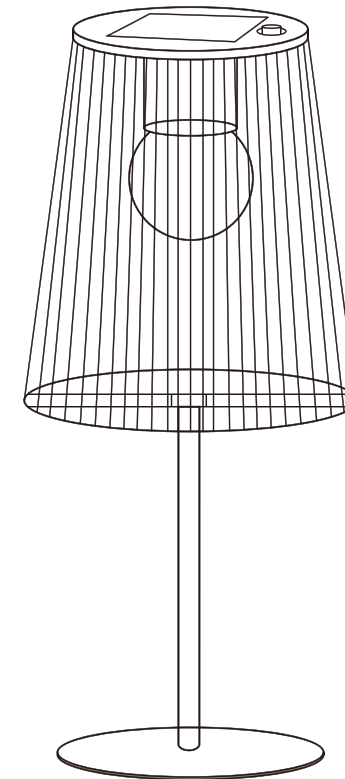
Care and Cleaning

EXTERIOR MAINTENANCE

1. To clean the outside of the fixture, use a dry or slightly dampened clean cloth (use clean water, never a solvent) to wipe the surface of the fixture.
2. Do not use any cleaners with chemicals, solvents or harsh abrasives. Use only a dry soft cloth to dust or wipe carefully.

PE SOLAR TABLE LAMP

Art Nr. 11000000141



Pre-Installation

PLANNING THE INSTALLATION

Read all instructions before assembly and installation. Before starting installation of the fixture or removal of a previous fixture, disconnect the power by turning off the circuit breaker or by removing the fuse at the fuse box. To avoid damaging this product, assemble it on a soft, non-abrasive surface such as carpet or cardboard.

TOOLS REQUIRED



Knife

Product detail information:

- LED Light: 10PCS LED 0.06W
- Lumen: 5Lumen
- Kelvin: 3000K
- Battery :1.2V , 300mahAA Ni-mh
- Solar recharging time: 8-10 Hours in direct sun
- Working time: 6-8 Hours
- Lamp gurantee: 1 years
- Function:ON/OFF
- IP44
- Lamp guarantee: 1 years

Function Description:

- Dusk to dawn sensor (switches on automatically as sun sets)
- During the winter months and on cloudy days,the product may not light due to insufficient sunlight.

Operation instruction:

Solar-powered outdoor lantern:it can be used both outdoor and indoor.

It is waterproof,but we recommend bring indoor if weather is bad.

Ambient glow for garden, patio,balcony,or corridor

Full charge:8-10 hours,placed in direct sunlight to recharge,pls avoid shaded areas,results will vary based on weather conditions.

Illumination:the product automatically turns on at dusk for 6-8 hours.

To clean,wipe with a wet cloth.

