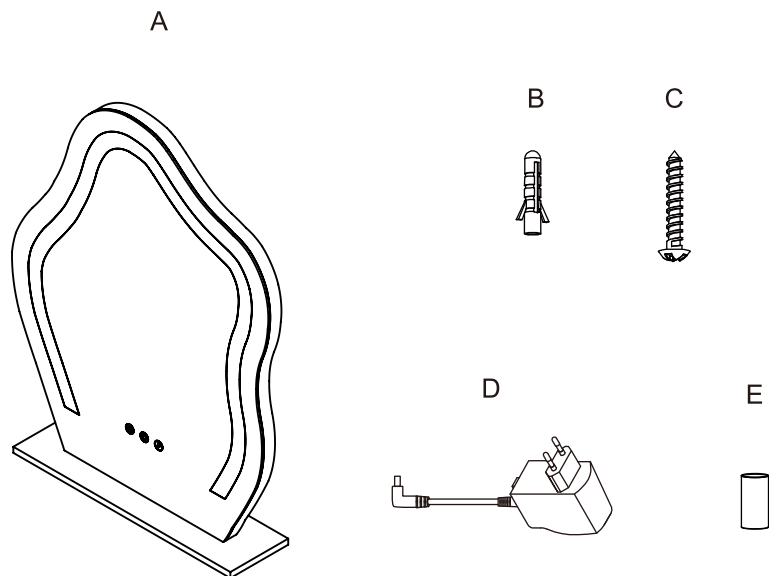


## Package contents (parts are not to scale):



Part	Description	Quantity
A	Lighting fixture with wire	1
B	Wall expansion particle( $\Phi 6 \times L 30 \text{mm}$ )	2
C	Cross pan head self-tapping screw ( $\Phi 7 \times L 44 \text{mm}$ )	2
D	LED driver plug	1
E	Support column(L15mm)	2

## Light source

**Max. LED 10W 1100Lumen 3000-6500K (Dimmable)**

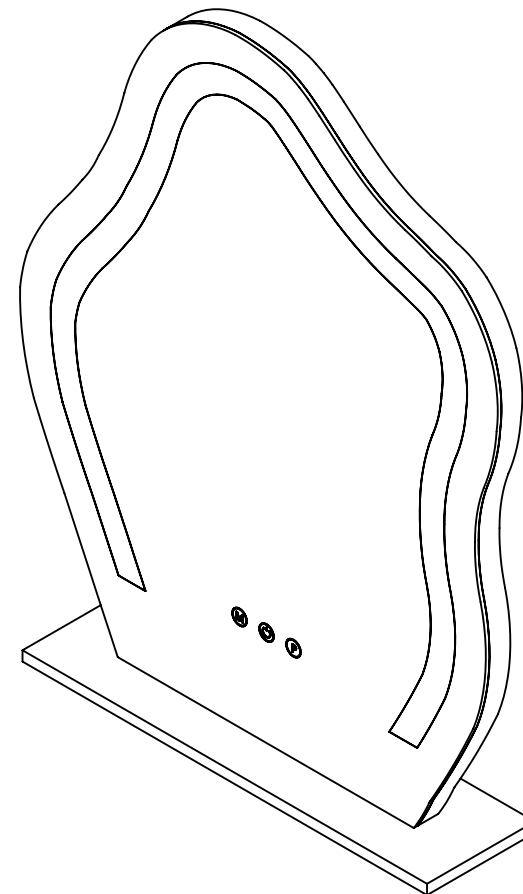
## Care and Cleaning

### EXTERIOR MAINTENANCE

1. To clean the outside of the fixture, use a dry or slightly dampened clean cloth (use clean water, never a solvent) to wipe the surface of the fixture.
2. Do not use any cleaners with chemicals, solvents or harsh abrasives. Use only a dry soft cloth to dust or wipe carefully.

## 3mm glass mirror(IP44)

Art Nr. 29053-000-00

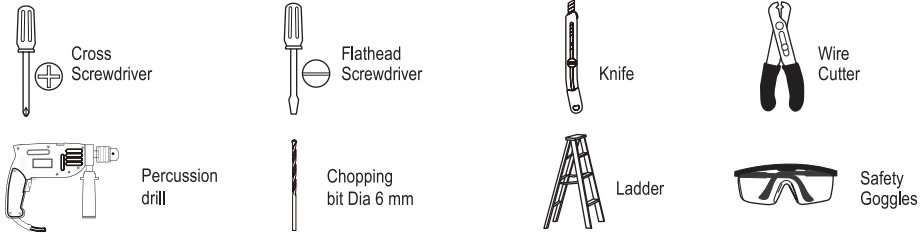


## Pre-Installation

### PLANNING THE INSTALLATION

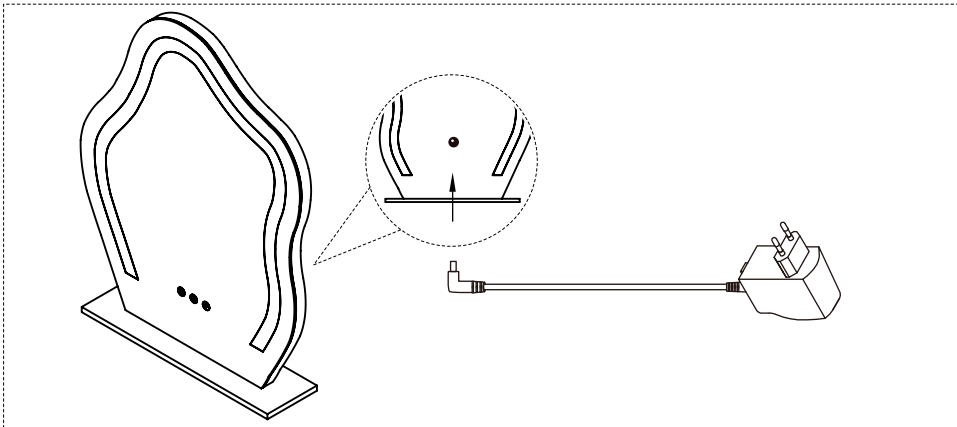
Read all instructions before assembly and installation. Before starting installation of the fixture or removal of a previous fixture, disconnect the power by turning off the circuit breaker or by removing the fuse at the fuse box. To avoid damaging this product, assemble it on a soft, non-abrasive surface such as carpet or cardboard.

### TOOLS REQUIRED

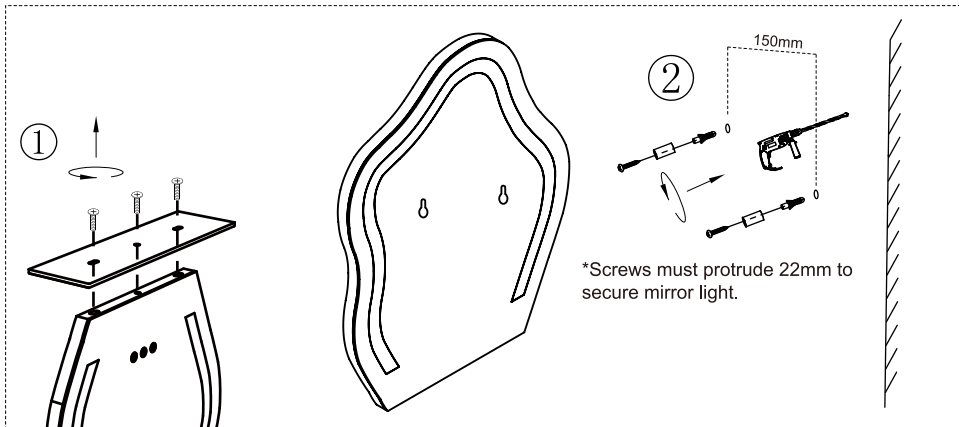


## Installation

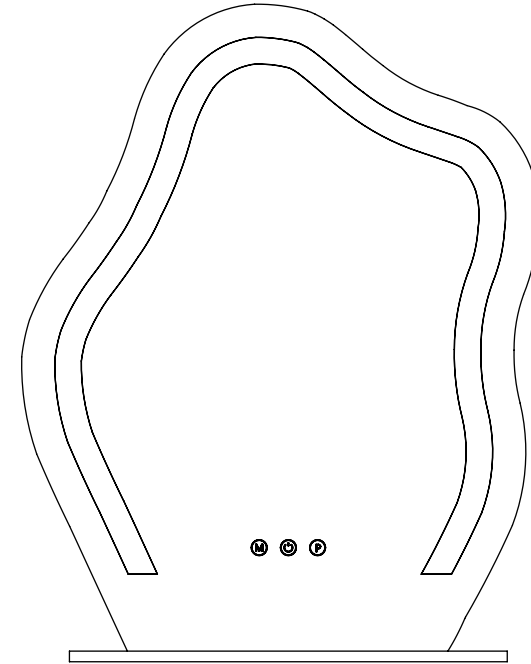
### Mode 1.



### Mode 2.



## Switch instruction:



- Ⓜ Short press to change the light color: warm/ natural/ cool.
- Ⓟ Short press to turn on/off the light.
- Ⓟ Long press to adjust the brightness.



12V Power Adapter

Input 220-240V Output 12V1.5A

Please use included power adapter, do not use an unsuitable power adapter, otherwise it could damage the mirror electronics.