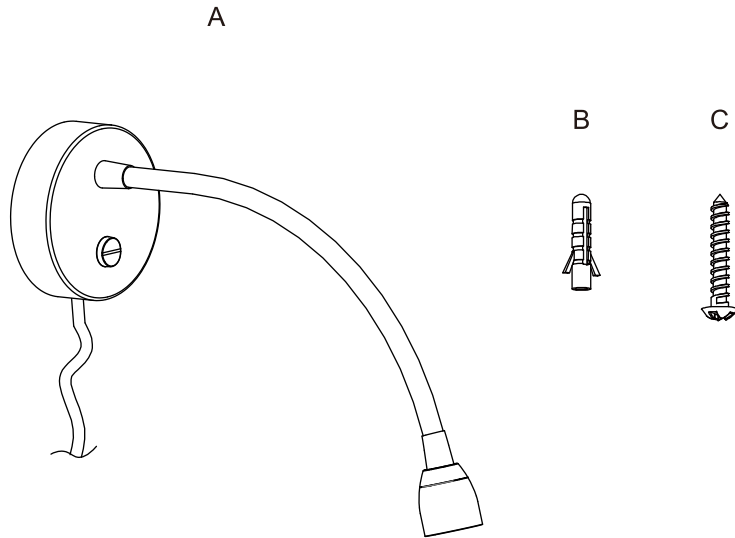


Package contents (parts are not to scale):



| Part | Description | Quantity |
|------|-------------------------|----------|
| A | Fixture body | 1 |
| B | Wall expansion particle | 2 |
| C | Self-Tapping screw | 2 |
| | | |
| | | |

Light source

Max. LED 3W 120Lumen 3000K

(Lamp gurantee: 3 years,LED lifetime: 50000 hours)

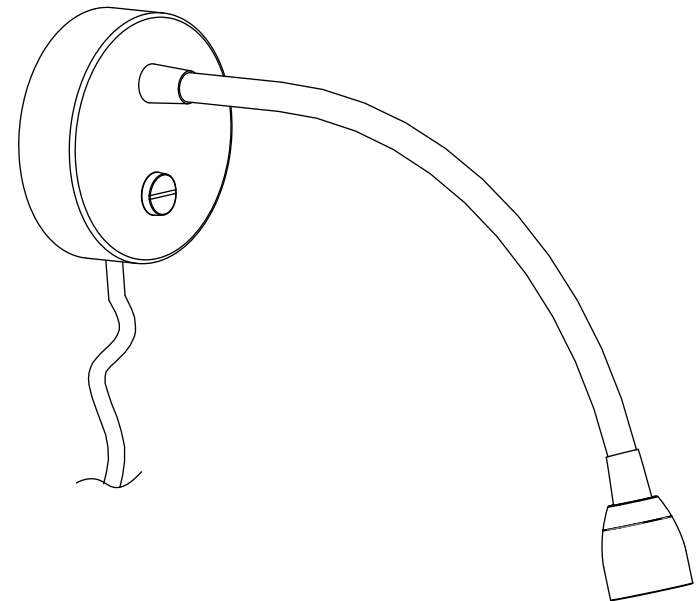
Care and Cleaning

EXTERIOR MAINTENANCE

1. To clean the outside of the fixture, use a dry or slightly dampened clean cloth (use clean water, never a solvent) to wipe the surface of the fixture.
2. Do not use any cleaners with chemicals, solvents or harsh abrasives. Use only a dry soft cloth to dust or wipe carefully.

INTERIOR WALL LAMP

Art Nr. 40499-001-71,40524-001-53,40524-001-70

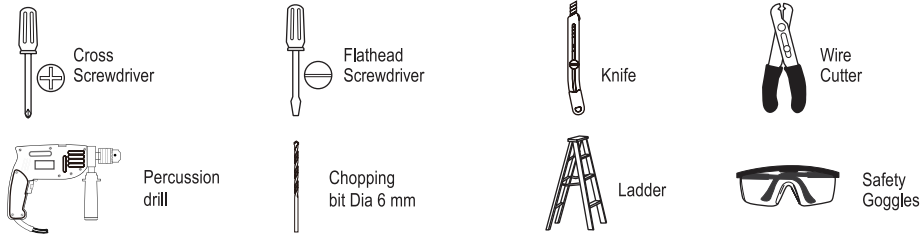


Pre-Installation

PLANNING THE INSTALLATION

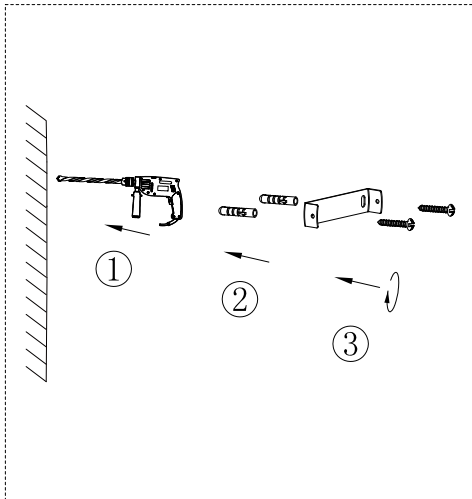
Read all instructions before assembly and installation. Before starting installation of the fixture or removal of a previous fixture, disconnect the power by turning off the circuit breaker or by removing the fuse at the fuse box. To avoid damaging this product, assemble it on a soft, non-abrasive surface such as carpet or cardboard.

TOOLS REQUIRED

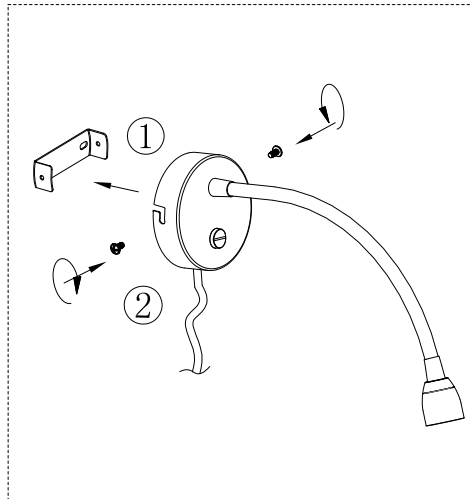


Installation

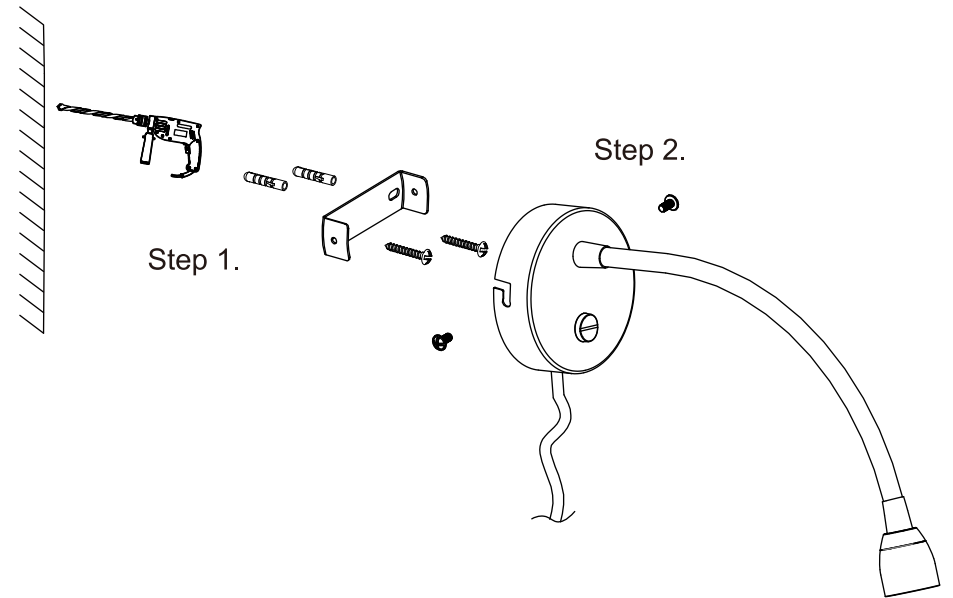
Step 1.



Step 2.



Installation (continued)



Operation

- Turn on power at the circuit breaker or fuse box.
- Turn the light switch on to activate the fixture.