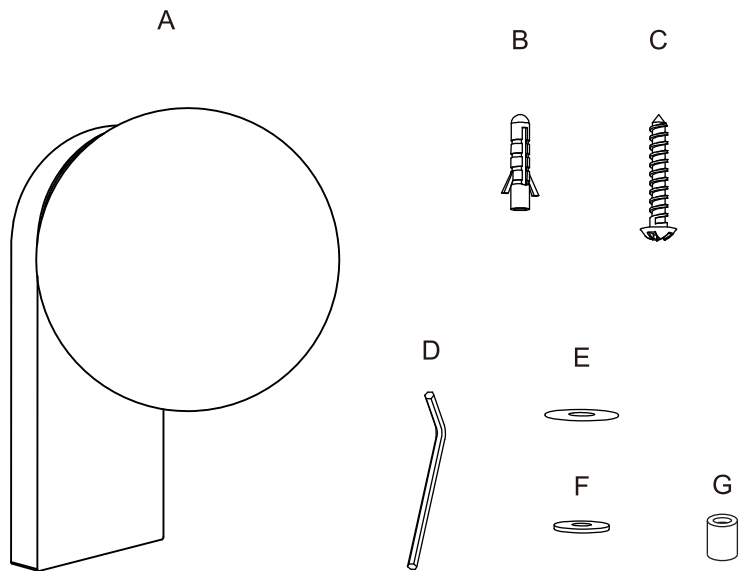


Package contents (parts are not to scale):



Part	Description	Quantity
A	Light fixture	1
B	Wall expansion particle($\Phi 6 \times L30\text{mm}$)	2
C	Cross pan head self-tapping screw (ST4*L35mm)	2
D	Allen key	1
E	Washer	2
F	Silicone gaskets	2
G	Plastic cylinder (H) 8mm	2

Light source

Max. LED 9.5W 700Lumen 3000K (Dimmable)

(Lamp gurantee: 3 years,LED lifetime: 50000 hours)

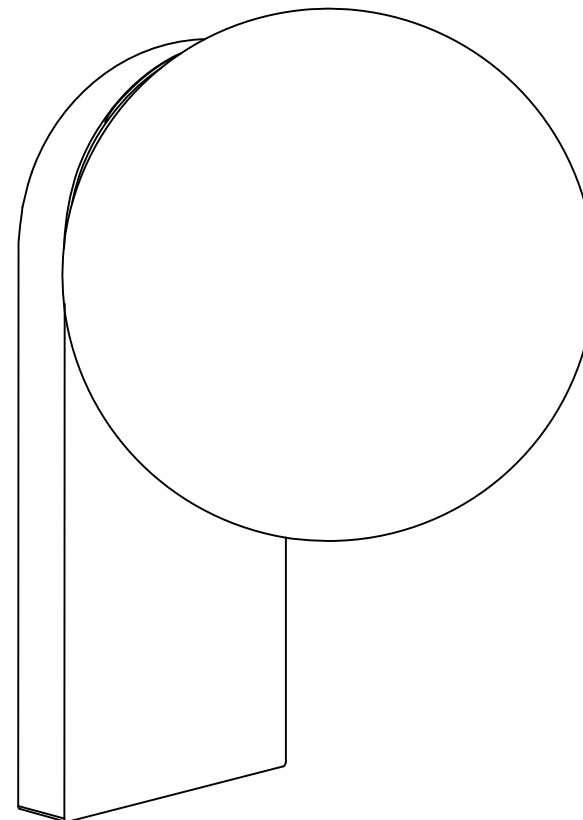
Care and Cleaning

EXTERIOR MAINTENANCE

1. To clean the outside of the fixture, use a dry or slightly dampened clean cloth (use clean water, never a solvent) to wipe the surface of the fixture.
2. Do not use any cleaners with chemicals, solvents or harsh abrasives. Use only a dry soft cloth to dust or wipe carefully.

INTERIOR WALL LAMP(IP44)

Art Nr. 81210-001-71

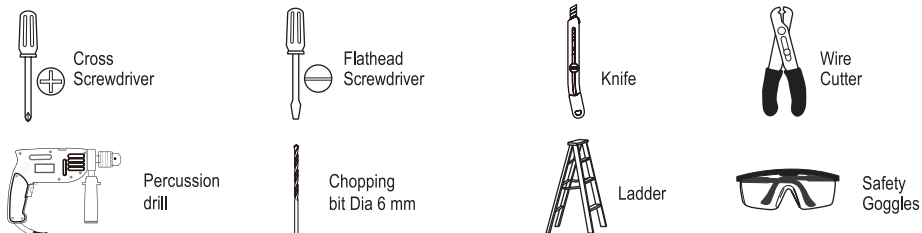


Pre-Installation

PLANNING THE INSTALLATION

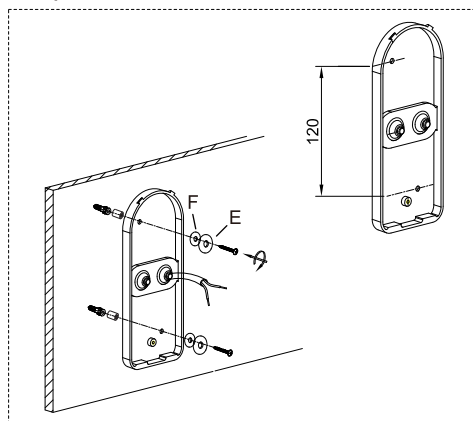
Read all instructions before assembly and installation. Before starting installation of the fixture or removal of a previous fixture, disconnect the power by turning off the circuit breaker or by removing the fuse at the fuse box. To avoid damaging this product, assemble it on a soft, non-abrasive surface such as carpet or cardboard.

TOOLS REQUIRED

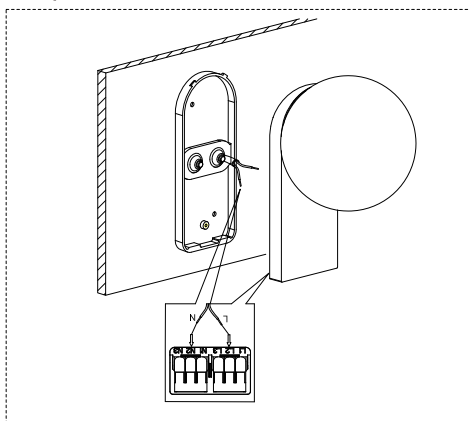


Installation (Make sure to turn off the main power)

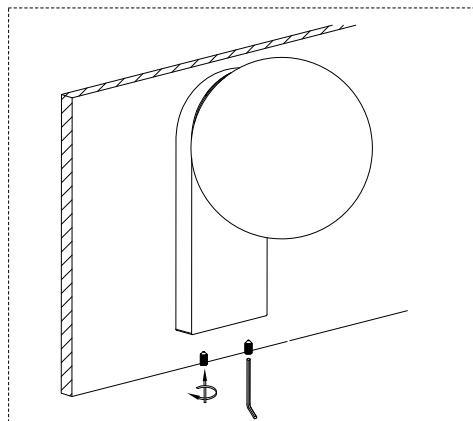
Step 1.



Step 2.

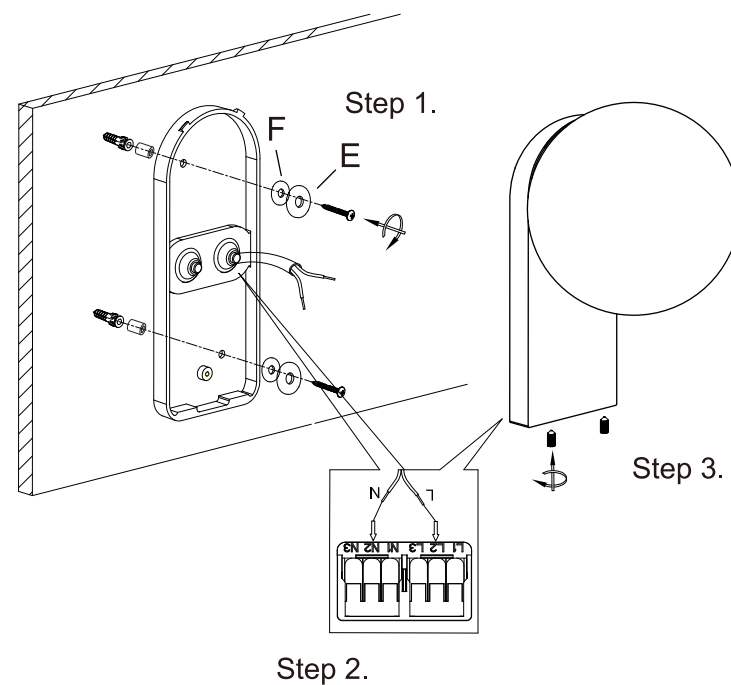
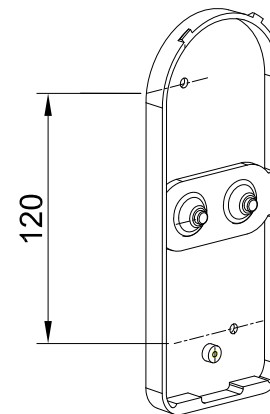


Step 3.



Installation (continued)

(Unit millimeter)



Operation

- Turn on power at the circuit breaker or fuse box.
- Turn the light switch on to activate the fixture.